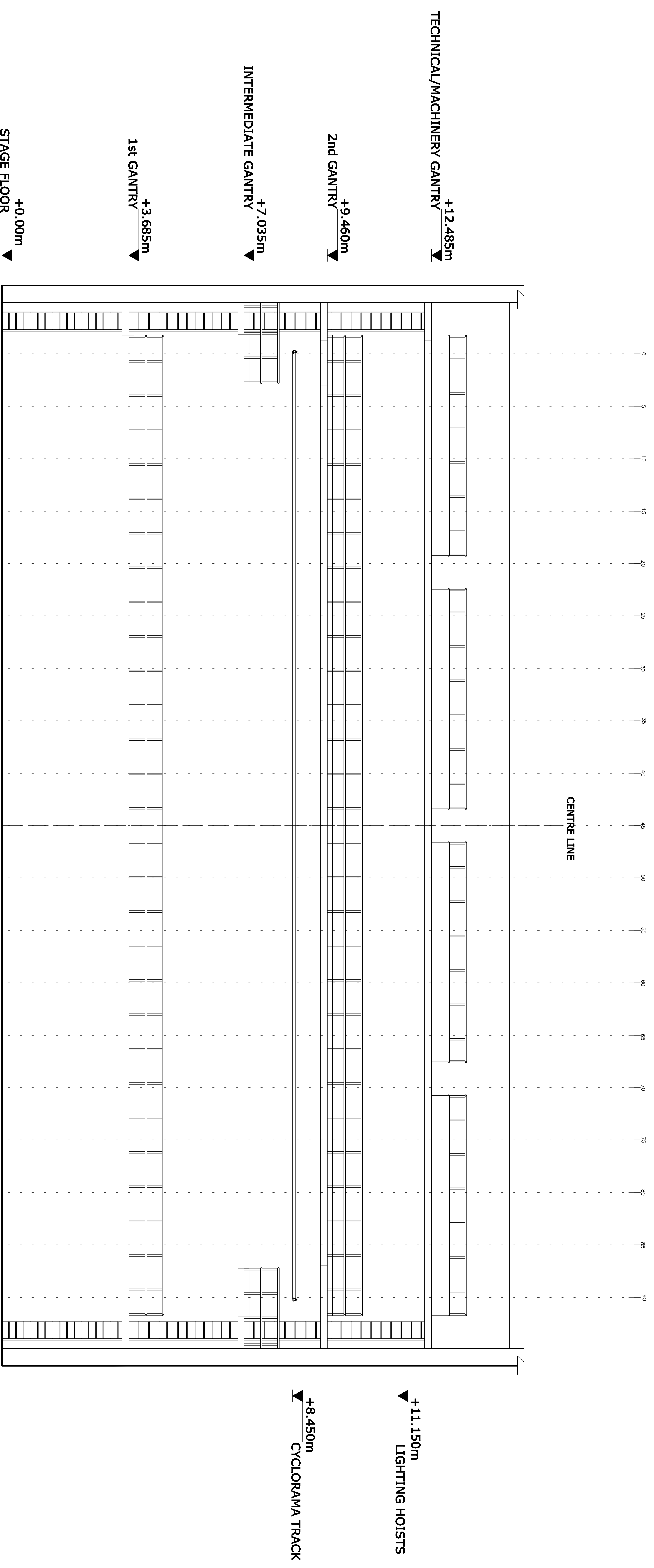


STUDIO 'A'

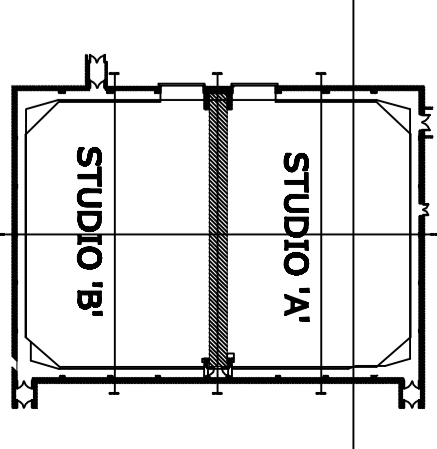
RECEPTION WALL END

DOTTED GRID = 5 FEET
(1.524m) SPACING



SECTION C-C (RECEPTION WALL END)

NOTE:
THIS DRAWING SHOULD BE READ IN
CONJUNCTION WITH FOUNTAIN TV/S
STUDIO INFORMATION SHEET



TITLE: Studio A
Access Section

SUBTITLE: Section C-C

DWG No. W-431
SCALE: 1 mm = 50 mm
Date: 01 Dec 2010
Drawn by: D Green

TEL: 020 8900 5800
FAX: 020 8900 5802
http://www.foundation.co.uk

04082010