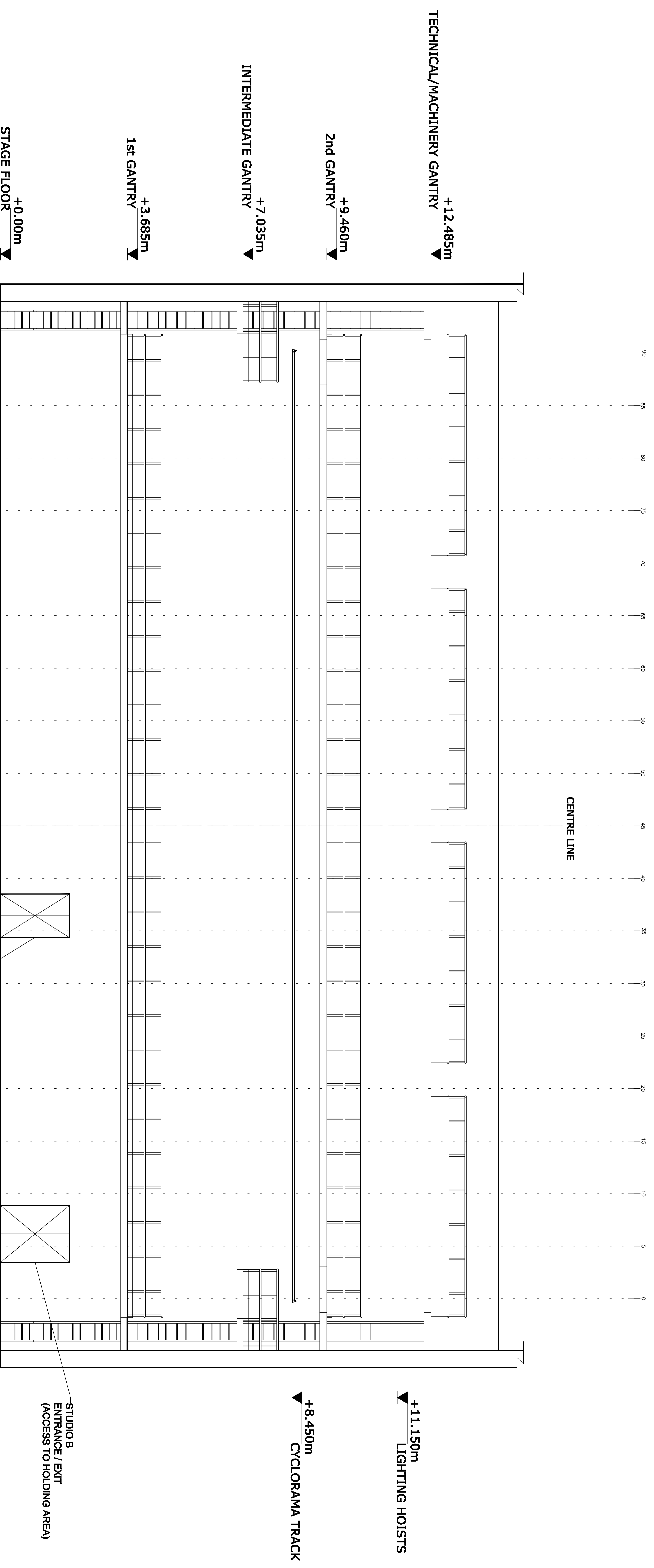


STUDIO 'B'

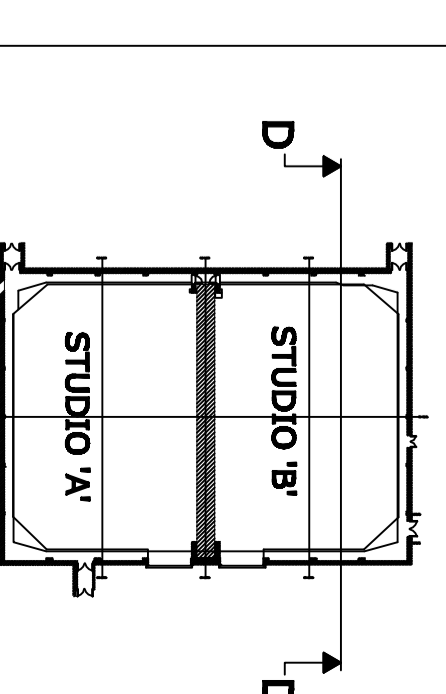
CAMERA STORE END

DOTTED GRID = 5 FEET
(1.524m) SPACING



SECTION D-D (CAMERA STORE END)

NOTE:
THIS DRAWING SHOULD BE READ IN
CONJUNCTION WITH FOUNTAIN TV'S
STUDIO INFORMATION SHEET



TITLE: Studio B
Across Section

DATE: 020 8900 5800
FAX: 020 8900 5802
http://www.foundation.co.uk

DWG No. W-432
SCALE: 1mm = 50mm
Drawn by: D Green

Sheet No. 01 of 062910